

### Features

- Stunning stylish European inspired design
- Square thin profile shower head with adjustable shower arm
- 3 stage shower functions (Rainfall, Massage Spray, Hand Shower)
- Contemporary brass hand shower
- Battery / hydro operated LCD temperature display

Thank you for purchasing Luxier products. Please read the information below and keep this installation guide for future reference. If you require assistance, please contact our customer service department at 1-877-711-8828, Monday - Friday 9AM - 5PM Pacific Time. Or by email at [support@luxierusa.com](mailto:support@luxierusa.com).

### **Limited Two (2) Year Warranty (For USA Only)**

The manufacturer warrants this product to be free of manufacture defects during daily normal household use for as long as it is owned by the original purchaser of this product. Please keep a copy of the original invoice as proof of purchase.

Should a malfunction occur within the warranty period, Luxier USA will, as its option, (1) repair or replace the defective part(s) or product(s) at no charge; (2) issue a refund of the original purchase price of the product(s) (Valid within 30 days from the date of purchase); or (3) issue a credit to be applied toward the purchase of a new Luxier product. Shipping/delivery charges may apply and are in Luxier USA's sole discretion.

This limited warranty shall not apply to goods which have been subject to accident, negligence, improper installation, product abuse, product misuse, or use of cleaners containing abrasives, alcohol or other organic solvents, whether performed by a contractor, service company, or yourself, are excluded from this warranty.

Our responsibility under this limited warranty is limited to only to replacement parts and no other costs. Luxier USA will not be responsible for labor charges and/or damage incurred by installation, repair or replacement, nor for any indirect incidental or consequential damages, losses, injury or costs of any nature relating to this product. Except as provided by law, this limited warranty is in lieu of and excludes all other warranties, conditions, and guarantees, whether expressed or implied, statutory or otherwise, including without restriction those merchantability of fitness for use.

This limited warranty is non-transferable. This limited warranty only applies to products purchased and installed in the United States. This limited warranty covers the original consumer purchase only and does not include business, commercial or industrial use of this product. To obtain service under the Limited Warranty, please contact Luxier USA at [support@luxierusa.com](mailto:support@luxierusa.com). The Luxier USA Customer Care Department will determine whether to repair or replace your product, issue a refund, or issue a credit.

## Attention

- This installation guide is subject to change without notice, please contact us to request the most updated version of this installation guide.
- This is a general installation guideline, actual installation may vary. Consult a professional if necessary.
- Product drawings in this installation guide is for illustration purpose only. Actual product may vary depends on model.
- Always take extra precautions and wear appropriate safety equipment when installing this product.
- Proper water pressure needs to be maintained to prevent possible scalding.
- Stainless steel shower panels are handmade and assembled. Product dimensions may vary slightly, always measure the actual product before installation.
- This product is equipped with a water saving device with restricted flow rate as required by the state of California. To learn more about this water saving feature, please contact our customer service department.

You may also need the following tools

1. Thread Sealant Tape, (PTFE Tape)	5. Pencil or Marker
2. Silicon Sealant	6. Level
3. Screw Driver Set	7. Hammer
4. Drill with ¼" Drill bit	

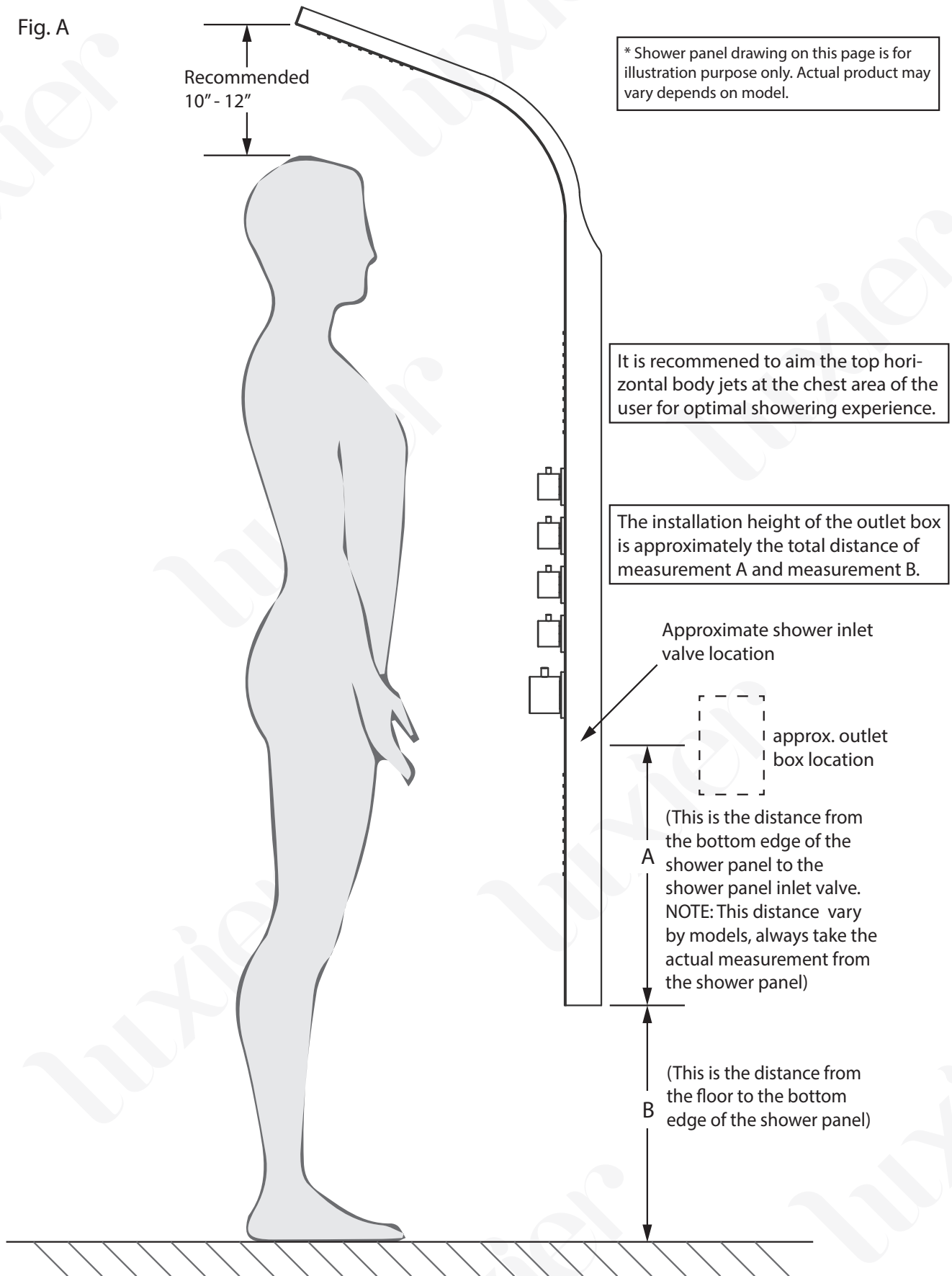
## Before You Begin

- Read and understand this instructions completely before installation.
- Unpack and inspect the shower panel from the package for shipping damage and make sure all parts are included with the shower panel.
- Keep the product in its package until you are ready to install.
- Read and understand this installation guide completely.
- Make sure the installation site is clean and free of dust and debris.
- Please make sure the water supply is shut off to the installation area. If necessary, shut off the water to the entire house.
- Turn on the water at a bathroom faucet in the house to relieve the pressure in the plumbing system.

## Rough-In

- Please follow all local building and plumbing codes.
- The height and placement of the shut off valves will be based on the installation height of the shower panel, see figure A. The installation height is approximately the total distance of measurement A and measurement B.
- The finished wall opening for the valves should not be larger than 4.5" wide by 6" tall. Make sure the opening is completely waterproof to prevent any water leaking into the wall space. (NOTE: Product warranty does not cover any damages caused by water leak due to negligent and improper installation of the shut off valves and the shower panel.)
- An outlet box such as the Sioux Chief Ox Box™ 696-2 is recommended to expedite the installation process of the shut off valves. (NOTE: additional parts such as 1/2" angle valves, 5/8" rubber grommets, and other parts are required but not included with this product.) Refer to Appendix A for detail diagram for the outlet box.

Fig. A



\* Shower panel drawing on this page is for illustration purpose only. Actual product may vary depends on model.

It is recommended to aim the top horizontal body jets at the chest area of the user for optimal showering experience.

The installation height of the outlet box is approximately the total distance of measurement A and measurement B.

Approximate shower inlet valve location

approx. outlet box location

A  
(This is the distance from the bottom edge of the shower panel to the shower panel inlet valve. NOTE: This distance vary by models, always take the actual measurement from the shower panel)

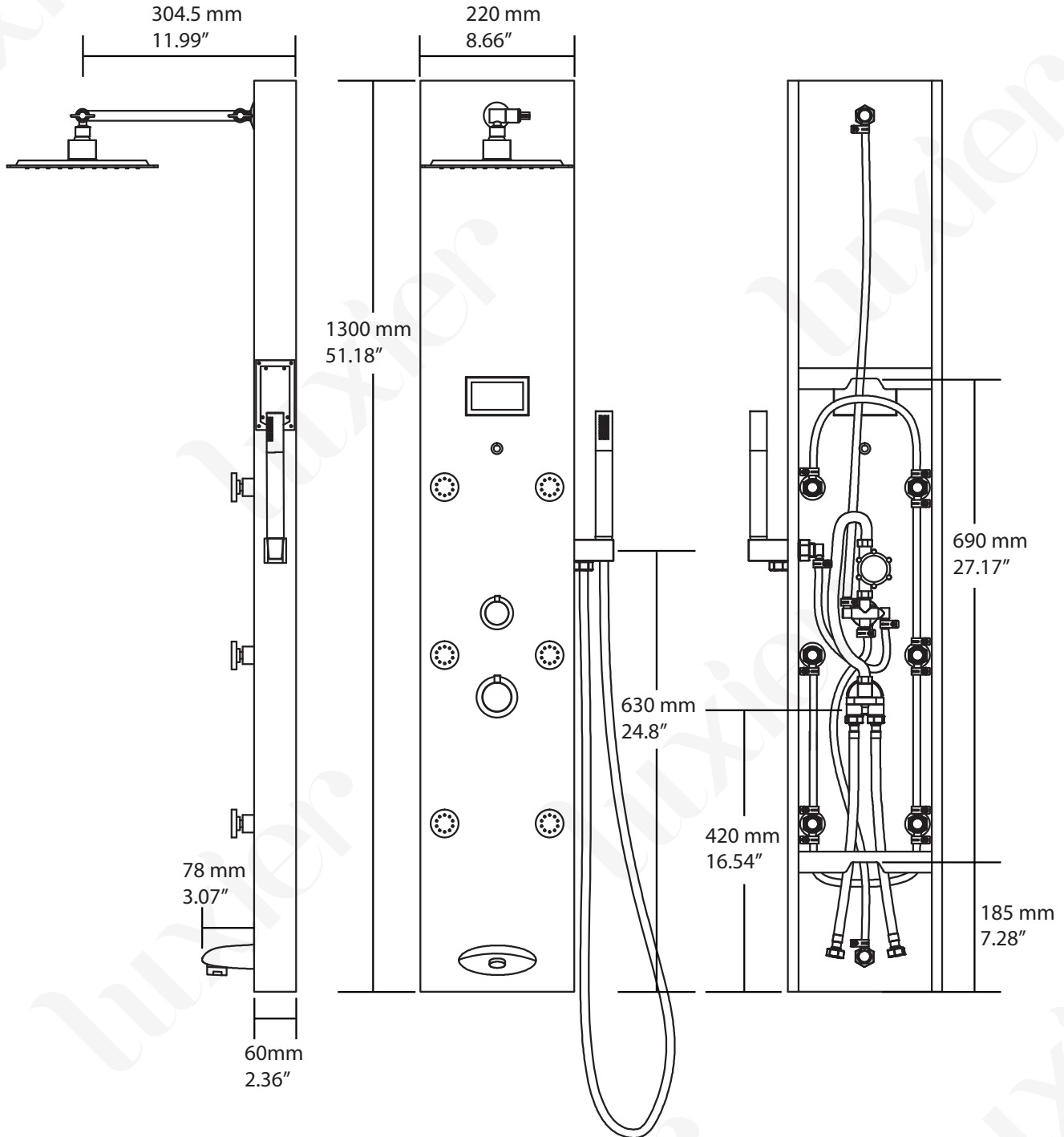
B  
(This is the distance from the floor to the bottom edge of the shower panel)

## Technical Data

Recommended Operating Pressure: 50 - 80 psi

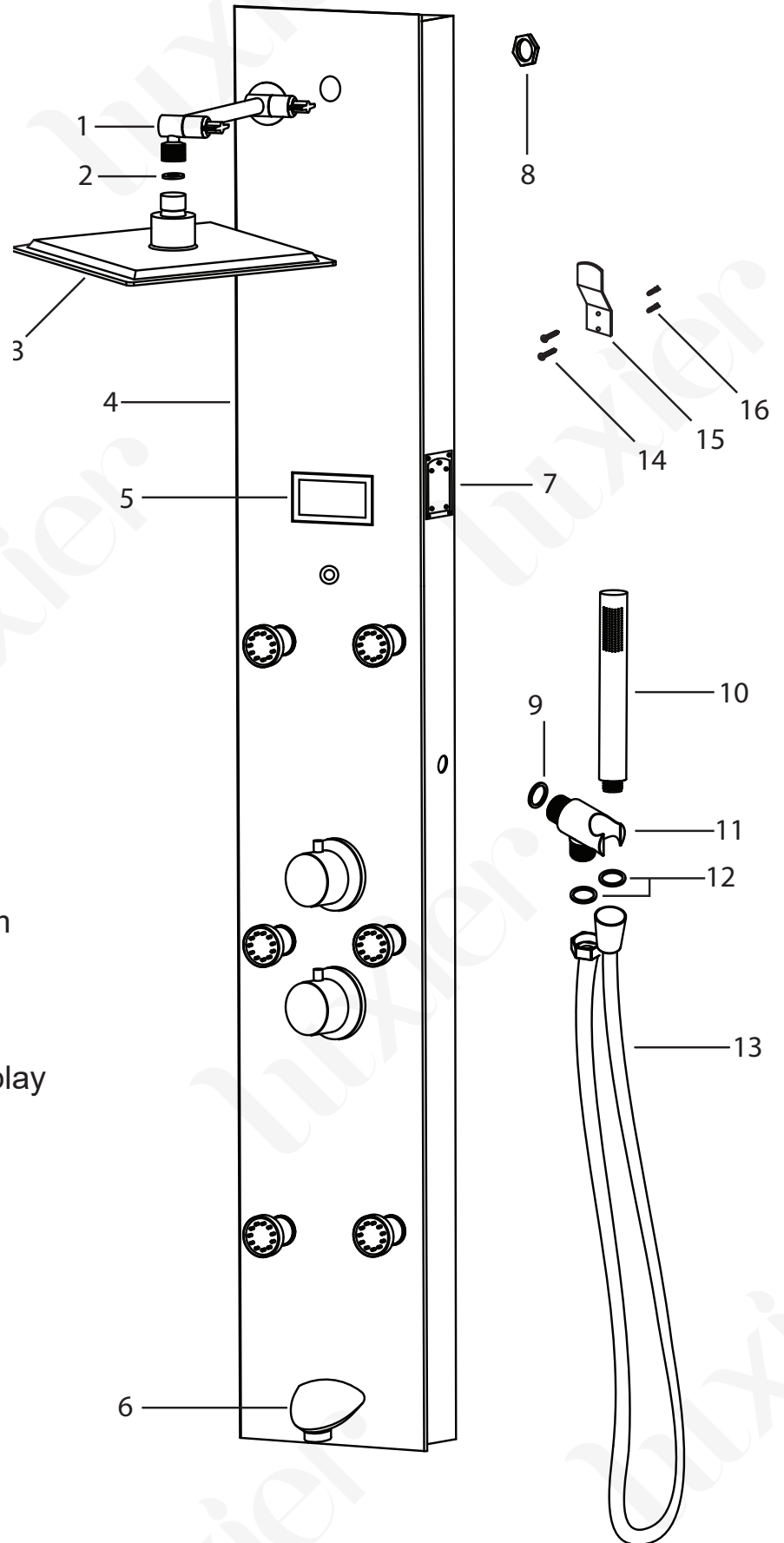
Flow Rate: 1.8 gpm at 80 psi

(NOTE: This product is equipped with a water saving device with restricted flow rate as required by the state of California. To learn more about this water saving feature, please contact our customer service department.)



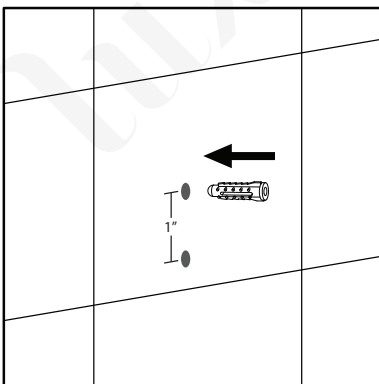
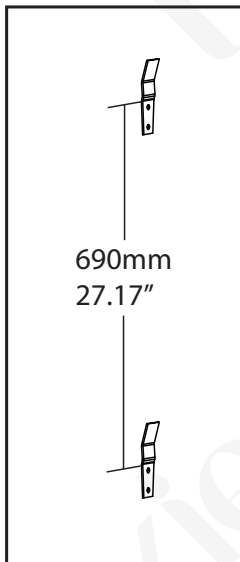
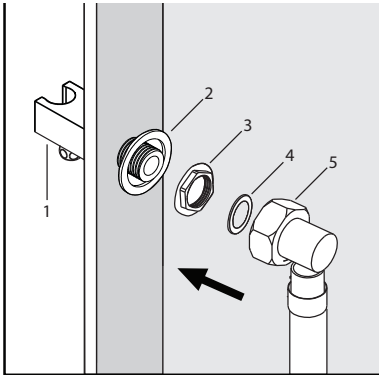
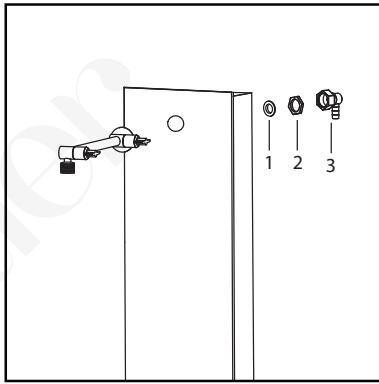
\* Drawings not to scale. All measurements are approximate \*

# Parts List

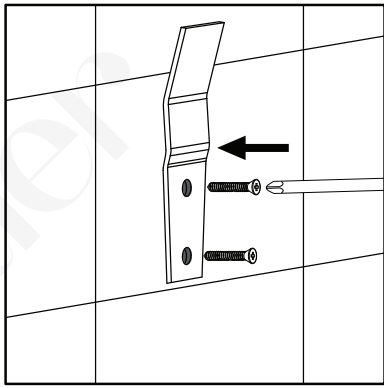


- 01. Adjustable Shower Arm
- 02. Rubber Washer
- 03. Shower Head
- 04. Shower Panel Body
- 05. LCD Temperature Display
- 06. Tub Spout
- 07. Battery Compartment  
(2 AA batteries not included)
- 08. Locking Nut
- 09. Locking Nut
- 10. Hand Shower
- 11. Hand Shower Cradle
- 12. Rubber Washers
- 13. Hand Shower Hose
- 14. Screw x 4
- 15. Mounting Bracket x2
- 16. Wall Anchors x 4

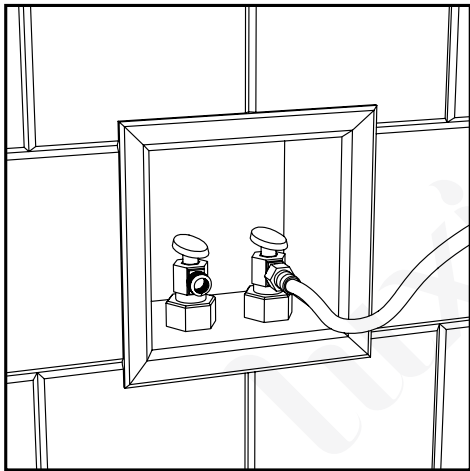
## Installation



## Installation (cont.)



5. Secure the mounting brackets to the wall with the screws.



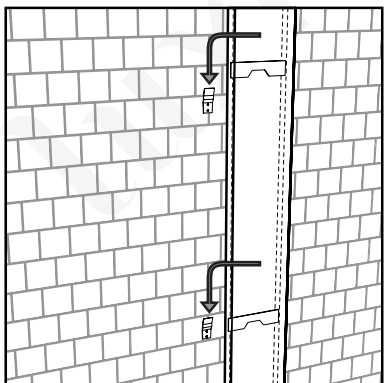
6. Apply thread sealant tape to the threading on the shut-off valves before connect both hot and cold water supply hoses to the valves.

### IMPORTANT :

- Make sure the water supply hoses are connected to the corresponding shut-off valves - i.e. cold water hose to the cold water valve and hot water hose to the hot water valve. The thermostatic valve will not function properly if the hoses are installed incorrectly.

- Before hanging the shower panel on the wall. Turn on both shut-off valves and test all water functions on the shower panel and check for leaks at this point. You should have good water flow to the shower panel and full temperature control from the knobs.

**The range of the control knob is limited in both clockwise and counter-clockwise directions. DO NOT force to turn the knob pass its limit. Overturning the control will damage the thermostatic valve making it fail to regulate temperature.**

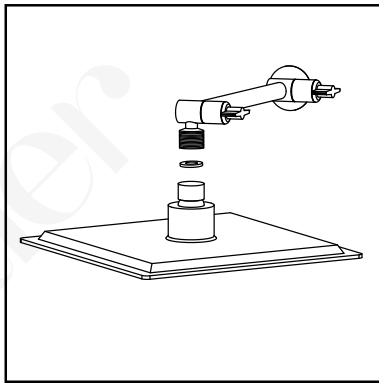


7. Once the shower panel has been tested for functions and leaks. Hang the unit on the wall to complete the installation. Due to the limited space behind the shower panel, do not bend the hoses. Any restrictions in the water supply hoses will greatly reduce the performance of the shower panel. After the shower panel is set properly on the wall, apply silicon sealant on both sides of the shower panel to prevent the unit from moving.

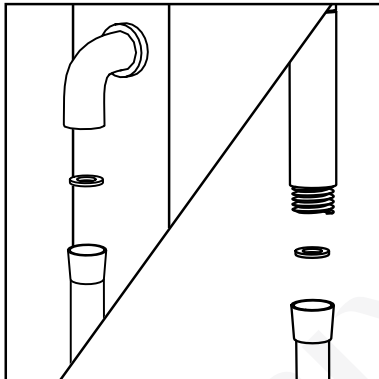
**(NOTE: Do not seal the bottom of the panel.)**



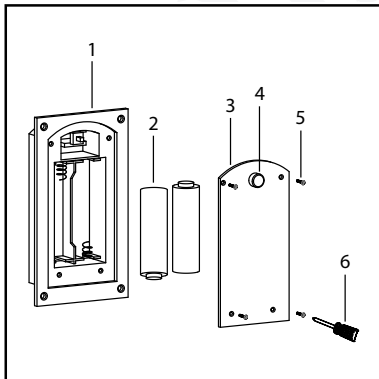
## Installation (cont.)



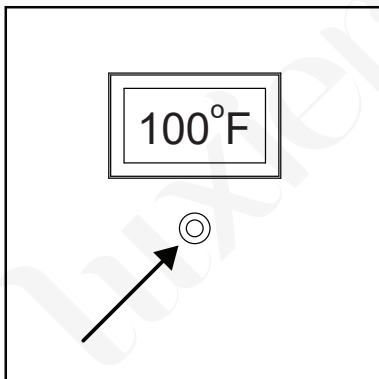
8. Attache shower head. Apply some (**NOTE:** PTFE tape on the thread to prevent leaking)



9. Connect hand shower hose to the main panel body and connect hand shower to the hose. Make sure to install the rubber washers in the connections.

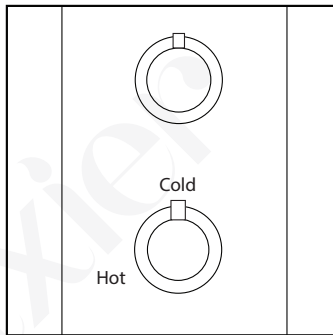


10. For your convenience, a small screwdriver (6) is included with the unit for battery replacement. Use the screwdriver to remove the 4 small screws (5) on the battery compartment door (3). Please make sure 2 AA batteries (2) are properly installed in the battery compartment (**NOTE:** batteries not included). And make sure the silicon gasket is seated properly to waterproof the battery assembly. Once the batteries are install, press down the main power switch (4) to provide power to the digital display.



11. This LCD display is powered by running water and 2 AA batteries. With the water running on the shower panel. Press the small button under the digital screen to display current water temperature. The display will automatically shutdown about 18 seconds after the water is turned off.

## Operation



Function Selector

Temperature Control

1. Turn the temperature control knob to set the desired water temperature.
2. Select the desired water function by turning the selector to the corresponding marking.

### IMPORTANT:

The range of the control knob is limited in both clockwise and counter-clockwise directions. **DO NOT** force to turn the knob pass its limit. Overturning the control will damage the thermostatic valve making it fail to regulate temperature.

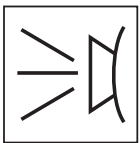
## Water Functions



Overhead Jets



Handheld Shower



Horizontal Body Jets



Tub Spout

## Maintenance Guide

Please follow the cleaning material manufacturer's instructions. In addition, pay attention to the following points:

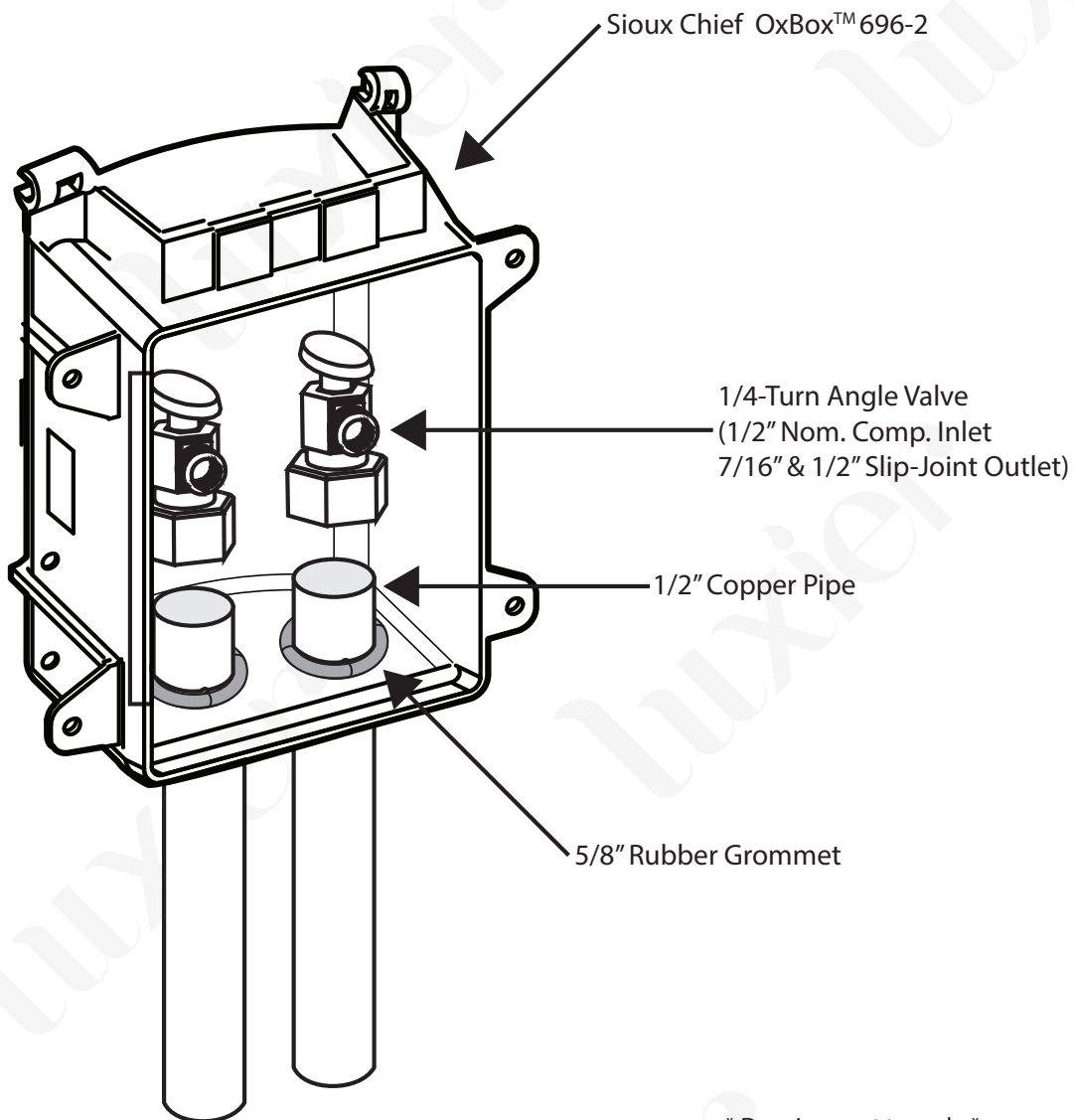
1. Regular cleaning can prevent mineral build up on shower head and handheld shower.
2. Use a mild detergent such as liquid dishwashing soap and warm water for cleaning.
3. Do not use abrasive / harsh chemical when cleaning the fixture as they will damage and dull the finish.
4. Carefully read the cleaner product label to ensure the cleaner is safe for use on the material.
5. Test the cleaner on a small area before using on the entire surface.
6. Do not leave the cleaner on the fixture longer than necessary.
7. When using spray cleaners, spray first onto a soft cloth or sponge. Never spray directly onto the faucet as droplets can enter openings and gaps and cause damage.
8. After cleaning, rinse thoroughly with clean water to remove any cleaner residue.

## Appendix A.

This diagram provides a general idea of the outlet box. Actual installation may vary. Consult a professional if necessary. You may also refer to the following link for a video demonstration of the general installation process.

**NOTE:** Luxier is not affiliated with the owner of the video. The purpose of this video is meant to provide a visual concept of the shower outlet box to speed up the installation process. All images are copyright to their respective owners.

<https://youtu.be/51Z1Xb5n6F0>



\* Drawings not to scale \*